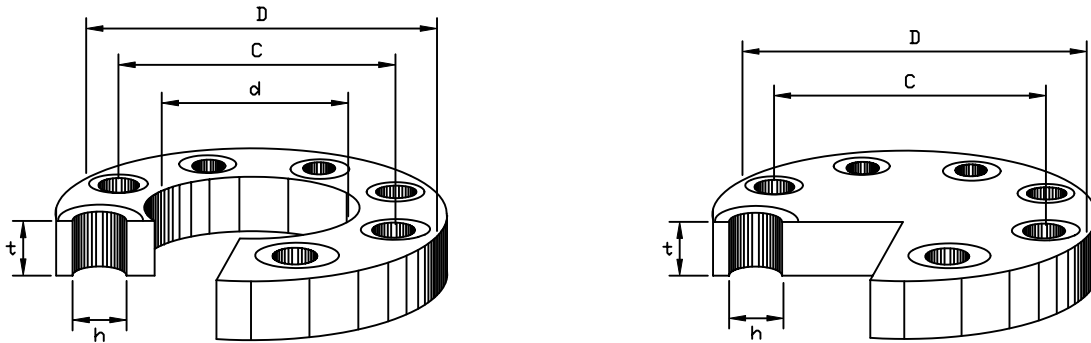


JIS B2220 - Flanges 5K & 10K

Available in Carbon Steel and 316L Stainless Steel



Size	JIS 5K								JIS 10K							
	d	D	C	No.	h	t	Weight (kg)		d	D	C	No.	h	t	Weight (kg)	
							SO	BL							SO	BL
010	17.8	75	55	4	12	9	0.27	0.30	17.8	90	65	4	15	12	0.52	0.54
015	22.2	80	60	4	12	9	0.30	0.40	22.2	95	70	4	15	12	0.57	0.61
020	27.7	85	65	4	12	10	0.37	0.50	27.7	100	75	4	15	14	0.73	0.79
025	34.5	95	75	4	12	10	0.45	0.60	34.5	125	90	4	19	14	1.13	1.24
032	43.2	115	90	4	15	12	0.78	0.90	43.2	135	100	4	19	16	1.48	1.66
040	49.1	120	95	4	15	12	0.83	1.00	49.1	140	105	4	19	16	1.56	1.81
050	61.1	130	105	4	15	14	1.07	1.40	61.1	155	120	4	19	16	1.88	2.23
065	77.1	155	130	4	15	14	1.49	2.00	77.1	175	140	4	19	18	2.60	3.24
080	90.0	180	145	4	19	14	1.99	2.70	90.0	185	150	8	19	18	2.61	3.50
090	102.6	190	155	4	19	14	2.09	3.00	102.6	195	160	8	19	18	2.76	4.00
100	115.4	200	165	8	19	16	2.39	3.70	115.4	210	175	8	19	18	3.14	4.60
125	141.2	235	200	8	19	16	3.23	5.20	141.2	250	210	8	23	20	4.77	7.30
150	166.6	265	230	8	19	18	4.41	7.50	166.6	280	240	8	23	22	6.34	10.10
175	192.1	300	260	8	23	18	5.51	9.50	192.1	302	265	12	23	22	6.82	11.80
200	218.0	320	280	8	23	20	6.33	12.20	218.0	330	290	12	23	22	7.53	14.00
250	269.5	385	345	12	23	22	9.45	19.30	269.5	400	355	12	25	24	11.80	22.70
300	321.0	430	390	12	23	22	10.30	24.30	321.0	445	400	16	25	24	13.50	29.50
350	358.1	480	435	12	25	24	14.00	33.20	358.1	490	445	16	25	26	16.40	37.10
400	409.0	540	495	16	25	24	16.90	41.90	409.0	560	510	16	27	28	23.00	52.50
450	460.0	605	555	16	25	24	21.60	53.00	460.0	620	565	20	27	30	29.50	68.80
500	511.0	655	605	20	25	24	23.10	61.90	511.0	675	620	20	27	30	33.50	82.10
550	562.0	720	665	20	27	26	30.30	81.20	562.0	745	680	20	33	32	43.10	105.80
600	613.0	770	715	20	27	26	32.70	93.20	613.0	795	730	24	33	32	45.70	120.20
650	664.0	825	770	24	27	26	35.90	106.90	664.0	845	780	24	33	34	52.10	145.00
700	715.0	875	820	24	27	26	38.20	120.60	715.0	905	840	24	33	34	59.50	167.20
750	766.0	945	880	24	33	28	48.70	150.50	766.0	970	900	24	33	36	73.20	204.20
800	817.0	995	930	24	33	28	51.60	167.40	817.0	1020	950	28	33	36	76.40	225.20
900	919.0	1095	1030	24	33	30	61.10	218.10	919.0	1120	1050	28	33	38	89.40	288.40
1000	1021.0	1195	1130	28	33	32	70.50	277.30	1021.0	1235	1160	28	39	40	109.20	367.70